



WHIRLPOOL SEMI-PROFESSIONAL





INDEX:

1. Semi professional LAUNDRY
2. Semi professional VERTICAL OVENS
3. Semi professional COOKING COUNTRY STYLE
4. Semi professional HORIZONTAL COOKING
5. Semi professional GLASS DOOR REFRIGERATORS
6. Professional ICE MAKERS
7. Semi Professional SUPPORT CABINETS
8. Professional DISHWASHERS





1 - Semi professional LAUNDRY





AWZ 481/GH

**HEAVY DUTY
DRYER 10 Kg**

The perfection in Drying

AWM 9100/GH

**HEAVY DUTY
WASHER 10 Kg**

The definition of Washing

Semi Professional DRYER AWZ 481/GH

DRYER AWZ481/GH The Perfection in Drying

■ A NEW DESIGN

The new grey color gives the product a unique aesthetic associated to heavy duty products.

■ DRYING OF BIG VOLUMES - 10 KG

The large capacity 205 liters drum allows drying of up to 10 kg of linen every cycle.

■ THE HEAVY DUTY PERFORMANCE

With its total power of 4900 watts and a heating power of 4600 watts.

It offers 40% more power compared to a regular drying cycle.

■ FEATURES ADAPTED TO PROFESSIONAL REQUIREMENTS

With 8 specific programs from Delicate to Big Items, with or without heating option all cycles easily adapt to your linen. The several temperature options guarantee a quick and consistent drying always with particular care for delicate and silk items.

■ SPACE OPTIMISATION

The stacking kit allows to install washer and dryer on top of each other



Grille to safely dry
delicates items



Stacking kit for
space optimisation

Semi Professional DRYER AWZ 481/GH



The Dryer Control Panel *for Gentle Care of your linen*

A: Temperature Selector



Ideal for lingerie, blouses, dresses and some knits



Ideal for drapes, sheets and medium weight items such as permanent press fabrics



Ideal for drying heavyweight items such as towels and work clothes

B: Start Button

C: End of Cycle Signal Selector

D: Cycle Control Knob

1. Automatic Drying Cycles



Heavyweight Items



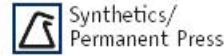
Cupboard Dry Plus



Cupboard Dry



Cotton



Synthetics/Permanent Press



Quick Dry



Delicates



Cool Down

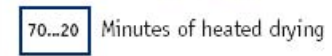


Iron Dry



Machine Off

2. Timed Drying Cycles



Minutes of heated drying



Iron Dry



Damp Dry



Machine Off



Cool Down

3. Air Dry Cycle



Minutes of no-heat drying



Machine Off

Semi Professional WASHER AWM 9100/GH

WASHER AWM9100/GH The Definition of Washing

■ LARGE CAPACITY

Thanks to the 92 lt. drum, it is possible to wash up to 10 kg of linen each cycle for a total life span of 7500 cycles.

■ THE HEAVY DUTY PERFORMANCE

There is a saving of about 40% in energy and time consumption when filling the washer with hot and cold water when compared to cold water only.

■ EASE OF USE

An electronic central system ensures an easy programming with a 23 hour start delay; the remaining time indicator informs on the status of the program.

■ PROFESSIONAL PROGRAMS

It is possible to select specific programs like the EXPRESS at 40°C in 40 min. or the Sanitary (disinfecting at 95°C).

More options are available and all ensure perfect results always.

■ SPACE OPTIMISATION

Whirlpool pairs up Semi-professional washing and drying functionalities using the same space and same aesthetic.

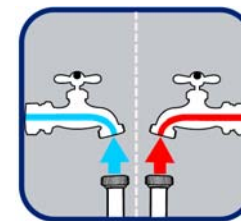
In addition, 2 big drawers can elevate the machines allowing for an easier loading and unloading of linens besides providing storage



Large opening door. More quality and sturdiness with the double hinges

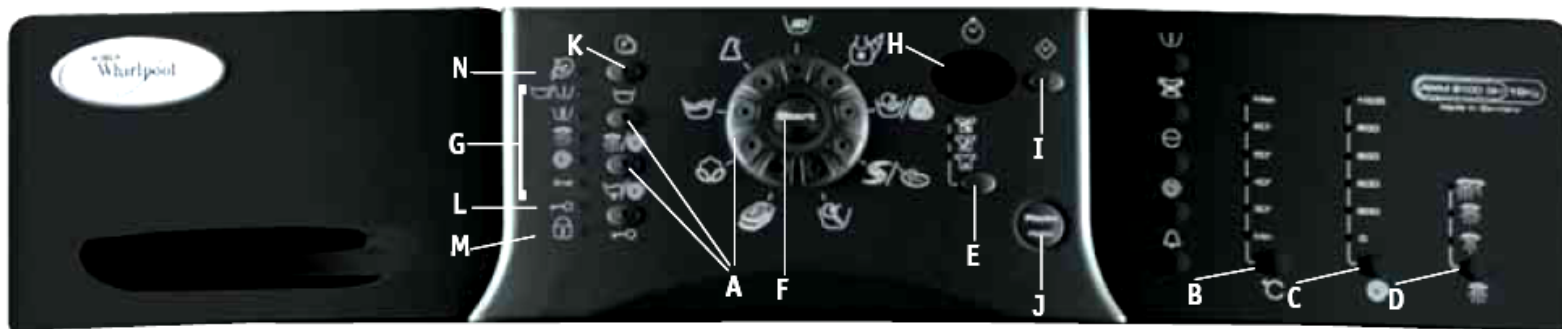


Optional drawer to install at the base of the products with a 33 cm height



Hot and cold water fit

Semi Professional WASHER AWM 9100/GH



The Washer Control Panel *for Perfect Results every time*

A: Programme Selector

- | | |
|--|--|
|  Sanitization cycle |  Kids wear |
|  Big Items |  Handwash/Wool |
|  White Cotton |  Silk/Delicates |
|  Heavy Duty |  Rinse & Spin |
|  Normal/Casual |  Drain & Spin |
|  Quick wash | |

B: "Water temperature" modifier

C: "Spin speed" modifier

D: "Rinse options" modifier

E: "Soil level" modifier

F: "Start" button

G: Programme sequence indicator

H: Remaining time display

I: "Start delay" button

L: "Pause/Reset" button

J: "Favourites" button

K: "Child lock" indication

M: "Door locked" indication

N: "Add a garment" indication

HEAVY DUTY WASHER

MODEL	AWM 9100/GH
BODY COLOUR	Graphite
DOOR DIAMETER (mm)	395
OPENING ANGLE (°)	150
DETERGENT DISPENSER	4
DIRECT INFLOW SYSTEM	Yes
WOOL CRADLE	Yes
FOAM CONTROL	Yes
IMBALANCE CORRECTION SYSTEM	Yes
CAPACITY	10 kg load
FILTER	Yes
ACCESS TO PUMP	Yes
CONTROL SYSTEM	Electronic
WASHING CYCLE FLOW BAR	Yes
HEATING POWER (W)	2050
SUPPLY VOLTAGE (V)	220-230
SUPPLY FREQUENCY (Hz)	50
FUSE AMPERE (A)	10
LENGTH OF CORD (cm)	150
PLUG	Shuko plug
ENERGY EFFICIENCY CLASS	A
ENERGY CONSUMPTION WASHING (KWh)	1,90
ENERGY CONSUMPTION TOTAL (KWh)	1,90
WASHING PERFORMANCE CLASS	A
WATER CONSUMPTION WASHING (l)	84
WATER CONSUMPTION TOTAL (l)	84
SPIN DRYING CLASS	C
REST HUMIDITY (percentage)	60
SPIN SPEED (rpm)	1000
CAPACITY WASHING (Kg)	9,00
NOISE WASHING (dba)	60
NOISE SPINNING (dba)	74
DIMENSIONS UNPACKED HxWxD(mm)	965x686x785
DIMENSIONS PACKED HxWxD(mm)	997x735x835
WEIGHT UNPACKED (Kg)	111
WEIGHT PACKED (Kg)	113
SPIN SPEED REDUCTION	Yes
RINSE HOLD	Yes
INTENSIVE RINSE	Yes
PREWASH	Yes on timer
REMAINING TIME INDICATION	Yes
START DELAY	Continuous
NR. OF PROGRAMMES	9
COTTON	1
SANITAZION CYCLE	1
BIG ITEMS	1
EASY-CARE / SYNTHETICS	1
DELICATES / SILK	1
WOOL / HANDWASH	1
KIDS WEAR	1
30°C-30MIN/ RAPID PLUS/QUICK	1
HEAVY DUTY	1

HEAVY DUTY DRYER

MODEL	AWZ481/GH
BODY COLOUR	Graphite
DOOR DIAMETER (mm)	395
OPENING ANGLE (°)	150
IMBALANCE CORRECTION SYSTEM	yes
FILTER	yes
CAPACITY	10 kg load
HEATING POWER (W)	4600
TOTAL POWER (W)	4900
SUPPLY VOLTAGE (V)	230 V 50 Hz
FUSE AMPERE (A)	25
ENERGY EFFICIENCY CLASS	C
DIMENSIONS UNPACKED HxWxD(mm)	965x686x785
DIMENSIONS PACKED HxWxD(mm)	997x735x835
WEIGHT UNPACKED (Kg)	61
NR. OF PROGRAMMES	8
COTTON	1
CUPBOARD DRY	1
CUPBOARD DRY PLUS	1
EASY-CARE / SYNTHETICS	1
DELICATES	1
IRON DRY	1
QUICK DRY	1
HEAVY DUTY	1

OPTIONAL: *Drawer*

MODEL	AMC893/GH
BODY COLOUR	Graphite
DIMENSIONS PACKED HxWxD(mm)	330x686x785
NET WEIGHT (Kg)	25





2 - Semi professional VERTICAL OVENS



Semi Professional VERTICAL OVENS RANGE

GN 2/3 capacity ovens

AGB 629/WP



AGB 630/WP



convection grill ovens

AGS 777 /WP

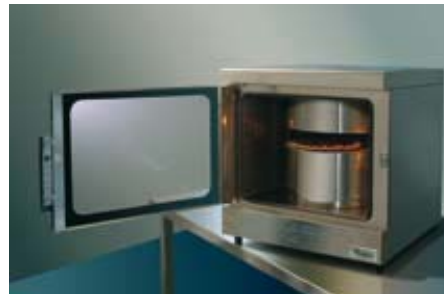


AGS 776/WP



pizza oven

AGS 646/WP



Semi Professional VERTICAL OVENS RANGE

Whirlpool range of Semi-Professional ovens offers the perfect combination of functionality, design and quality besides offering the versatility of reduced overall dimensions where space is a premium.

Various models offer different features and capabilities in order to meet all cooking requirements:

- A choice between **two GN 2/3 capacity ovens** with 5 trays featuring a combined cooking system of convection and steam cooking programs without plumbing connection. Analogue control panels with electromechanical controls and AISI 304 stainless steel complete the cooking chamber and external panels of both units.

AGB 629/WP



AGB 630/WP



- Whirlpool Semi-Professional options also include **two convection grill ovens** with either the choice of a side or top control panel options for a variety of needs from traditional to intensive cooking.

AGS 776/WP



AGS 777 /WP



Semi Professional VERTICAL OVENS RANGE

AGB 629/WP Convection oven AGB 630/WP Combi oven (with Humidifier)

- Dimensions: L550 x W680 x H490 mm
- 2,9 kW - 230 V 50-60 Hz
- Net Weight: 35 Kg
- 5 level capacity – 55 mm clearance between grids
- Interior light
- Standard Equipment: 1 stainless steel grid GN 2/3
- Top valve to exhaust the surplus of steam when needed
- Top water inlet with 2 lt water tank for the convection and humidifier model (AGB630/WP) that does not need to be connected to the main water system allowing the unit to be placed anywhere
- Double glass door with inner reflective glass and heavy duty door hinges



AGS 776/WP AGS 777/WP

- Dimensions:
L695 x W585 x H500 mm (AGS776/WP)
L595 x W585 x H610 mm (AGS777/WP)
- 2,3 kW - 230 V 50 Hz
- Net weight: 41 Kg
- 4 level capacity – 55 mm clearance between grids
- Interior light
- Standard Equipment: 1 stainless steel grid and 2 enameled trays with dimensions 442x365x28 mm
- 50 lt. Capacity
- Double glass door
- Enameled internal cavity
- External stainless steel 18/10
- Safety device to stop excessive temperature



Semi Professional PIZZA OVEN

Whirlpool SmartCook Pizza Oven is a revolutionary Convection oven with 3 levels, electronic controls for temperatures up to 450° and two fan motors for uniform fast cooking. It is an innovative and unique solution that allows the cooking of a pizza in 90 seconds with the appearance and taste normally only achieved in a wood fired oven. When not used as a pizza oven, it turns back into a conventional oven to always achieve perfect cooking results.

AGS 646/WP



When not used as a pizza oven, it turns back into a conventional oven to always achieve perfect cooking results.

AGS 646/WP Specifications

- Dimensions: L600 x W548 x H581 mm
- Cavity: L475 x W440 x H342 mm
- Pizza Grid diameter: 340mm
- 3,7 kW - 230 V 50-60 Hz 1ph 16°
- Net Weight: 41 Kg
- Convection oven with electronic controls
- 2 fan motors (on top and on the bottom) for fast even cooking
- Patented double cylinder system to cook a pizza in 90 sec.
- Diameter pizza grid: 340 mm
- Pizza kit accessory available (AGS792)

Pizza Oven KIT AGS 792

- 1 right side rack for wire shelves
- 1 left side rack for wire shelves
- 2 wire shelf for full cavity
- 1 upper cylinder for pizza
- 1 lower cylinder for pizza
- 1 pizza screen rack
- 1 pizza paddle



3 - Semi professional COOKING COUNTRY STRYLE



Semi Professional COOKING COUNTRY STYLE

Whirlpool COUNTRY STYLE COOKERS range offers the great performances and flexibility of the professional equipment in one single compact cooker-unit... Available in many different colours alternatives...



Whirlpool COUNTRY STYLE COOKERS range also offers a **great SIZES range**, for all possible customer needs:

- **a range of products 700mm DEEP:**
available in 3 different WIDTH versions:
 - 90cm
 - 130cm
 - 170cm
- **a range of products 600mm DEEP**
available in 3 different WIDTH versions:
 - 80cm
 - 120cm
 - 160cm

Semi Professional COOKING COUNTRY STYLE 700mm depth

170cm width



Base with gas static oven l. 110 - 7,8 kW
2 cabinet and front hand rail

Base with electric multifunction l. 80 - 2,3 kW
2 cabinet and front hand rail

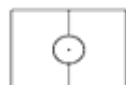
COOKING MODULES

2 gas burners
1x3,7 kW + 1x5,5 kW

Smooth electric griddle
2,5 kW - 230V 50/60 Hz

Electric pasta cooker
3,0 kW - 230V 50/60 Hz
1 basket

Solid top 80 cm
8,0 kW



COOKING MODULES

Solid top 40 cm
5,5 kW

Electric fryer
3,2 kW - 230V 50/60 Hz
1 tank l. 6,5 - 1 basket

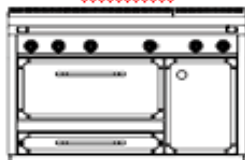
Sink
1 tap for sink - 1 syphon

Pyroceram with 2 hubs
1x2,3 kW + 1x1,2 kW
230V 50/60 Hz



- 1 star shaped grill reducer
- 1 oven grill
- 1 stainless steel oven tray
- 2 pair of grillholders for cabinet
- 2 grill for each cabinet
- 1 front hand rail
- 1 complete set of gas injectors
- 1 instruction booklet

130cm width



Base with gas static oven l. 110 - 7,8 kW
1 cabinet and front hand rail

Base with electric multifunction l. 80 - 2,3 kW
and front hand rail

2 gas burners
1x3,7 kW + 1x5,5 kW

Smooth electric griddle
2,5 kW - 230V 50/60 Hz

Electric pasta cooker
3,0 kW - 230V 50/60 Hz
1 basket

Sink
1 tap for sink - 1 syphon



Solid top 40 cm
5,5 kW

Electric fryer
3,2 kW - 230V 50/60 Hz
1 tank l. 6,5 - 1 basket

Pyroceram with 2 hubs
1x2,3 kW + 1x1,2 kW
230V 50/60 Hz



- 1 star shaped grill reducer
- 1 oven grill
- 1 stainless steel oven tray
- 1 pair of grillholders for cabinet
- 1 grill for each cabinet
- 1 front hand rail
- 1 complete set of gas injectors
- 1 instruction booklet

90cm width



Base with gas static oven l. 110 - 7,8 kW and front hand rail

Base with electric multifunction l. 80 - 2,3 kW and front hand rail

COOKING MODULES

2 gas burners
1x3,7 kW + 1x5,5 kW

Pyroceram with 2 hubs
1x2,3 kW + 1x1,2 kW
230V 50/60 Hz



- 1 star shaped grill reducer
- 1 oven grill
- 1 stainless steel oven tray
- 1 front hand rail
- 1 complete set of gas injectors
- 1 instruction booklet



4 - Semi professional HORIZONTAL COOKING



Semi Professional HORIZONTAL COOKING

Whirlpool Semi Professional Horizontal Cooking Range combines technology, quality, cost efficiency and energy consumption optimisation, in a wide complete range of modular equipment (40/60/80/100mm), including Gas and Electric deep fryers, fry tops, pasta cookers and bain marie

2 products are particularly indicated for "Villas equipment"

AND 610

ADN 613



Total Unit		TOP		OVEN				Total Unit
Whirlpool MODEL number	Dimensions External (mm)	Nr. Gas Burners / power per Burner (kW)	Pilot Flame for gas burners	Fuel	Power (kW)	GN	Cooking Technology	TOTAL GAS Power (kW/kcal)
ADN 610	100X70X90	6 / 6,0	Yes	gas	6,5	GN 2/1	static	42,5 / 36550
ADN 613	100X70X90	6 / 6,0	Yes	gas	3,6	GN 1/1	convection	39,6 / 34056



5 - Semi professional GLASS DOOR REFRIGERATORS



Semi Professional GLASS DOOR REFRIGERATORS

ADN201/WP

ADN203/WP



ADN200/WP

ADN202/WP



Semi Professional GLASS DOOR REFRIGERATORS

- External cabinet in white painted steel
- Inner cell in white thermoformed plastic
- Natural anodized aluminum door frame
- Anodized aluminum door handle
- Black painted steel top
- Roll bond evaporator with fan



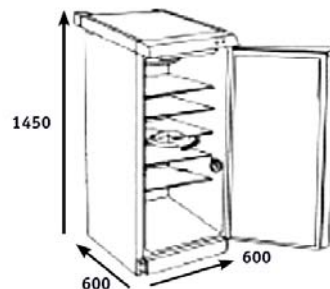
**ADN201/WP
ADN203/WP**



**ADN200/WP
ADN202/WP**



**ADN201/WP
ADN203/WP with thermometer**



**ADN200/WP
ADN202/WP with thermometer**

Semi Professional GLASS DOOR REFRIGERATORS

SPECIFICATIONS		ADN 200/WP	ADN 201/WP	ADN 202/WP	ADN 203/WP
climate class		N	N	N	N
temperature range	C°	+0° / +10°	+0° / +10°	+0° / +10°	+0° / +10°
gross volume	Lt	290	350	290	350
net volume	Lt	275	320	275	320
watt	kWh/24h	2,05	2,14	2,05	2,14
watt	kW/year	748	781	748	781
power input	W	200	230	200	230
volt/frequency	V/Hz	230 V/50Hz	230 V/50Hz	230 V/50Hz	230 V/50Hz
loading capacity	pieces	281 (0,33 lt cans)	357 (0,33 lt cans)	281 (0,33 lt cans)	357 (0,33 lt cans)
external dimensions (LxWxH)	mm	600x600x1450	600x600x1730	600x600x1450	600x600x1730
depth with open door	mm	1160	1160	1160	1160
internal dimensions (LxWxH)		528x453x1241	528x453x1523	528x453x1241	528x453x1523
package dimensions (LxWxH)		620x630x1510	620x630x1790	620x630x1510	620x630x1790
net weight	Kg	67 Kg	85 Kg	67 Kg	85 Kg
gross weight	Kg	72,5 Kg	91,5 Kg	72,5 Kg	91,5 Kg
refrigerant gas		R134a	R134a	R134a	R134a
No. of shelves		5	6	5	6
lock		yes	yes	yes	yes
mechanical thermometer		no	no	yes	yes
noise level		43 dB (A)	43 dB (A)	43 dB (A)	43 dB (A)
fuse		10 A	10 A	10 A	10 A
cord length	mm	1800 with Schuko plug	1800 with Schuko plug	1800 with Schuko plug	1800 with Schuko plug



6 - Professional ICE MAKERS

In a professional kitchen, high quality and reliable refrigerated products are of primary importance.

Whirlpool professional range of ice makers, from the wide choice of finger ice cube makers to the smaller range of squared ice cube makers, complies with the most stringent European safety and hygiene regulations for the use in the most demanding professional situations.



Professional ICE CUBES MAKERS

Squared ice cube makers

AGB 022



AGB 024



Finger ice makers

AGS 840

AGS 841

AGS 846

AGS 847



Professional ICE CUBES MAKERS

The squared ice cube makers range includes two models: with either a 24kg/24h (AGB022) or a 40Kg/24h (AGB024) capacity. Both machines utilize the “hot wire” technology, an ice-forming process that eliminates the presence of air bubbles to obtain very clear ice cubes. Storage capacity can be either 10Kg (AGB022) or 20Kg (AGB024) and the ice cube thickness can be adjusted (29mm) to suit different applications.



AGB 022



AGB 024



AGB 022

- Dimensions: L555 x W535 x H590 mm
- Air condenser
- Capacity: 24Kg/24 hrs
- Storage Capacity: 10 Kg
- 1/5 hp hermetic compressor
- R134a gas
- 220 V single-phase

AGB 024

- Dimensions: L555 x W535 x H850 mm
- Air condenser
- Capacity: 40Kg/24 hrs
- Storage Capacity: 20 Kg
- 1/5 hp hermetic compressor
- R134a gas
- 220 V single-phase

Professional ICE FINGER MAKERS

The range includes a **vast choice of products available** with an efficient air or water cooling system using the ecological refrigerant gas R404a.

All ice maker models are in stainless steel (AISI 304) with 28 mm water inlet.

All Whirlpool ice maker machines work with the **paddle system technology** producing clear hollow

finger ice cubes that can be adjusted in height (max height 45mm) and diameter (14mm min/34mm max).

In fact, contrary to the regular spray system technology running with a pump and sprays, Whirlpool ice makers are not affected by scale and can work well in hard water areas.

All machines are tropicalized CLASS T and can work well in very low ambient temperature since no thermostat is being used. The hollow ice cubes produced are ideal for cooling beverages, bottles and for many other applications.

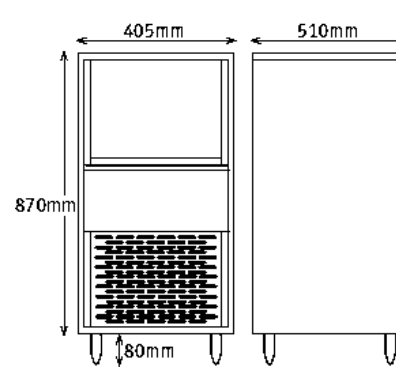


Professional ICE FINGER MAKERS

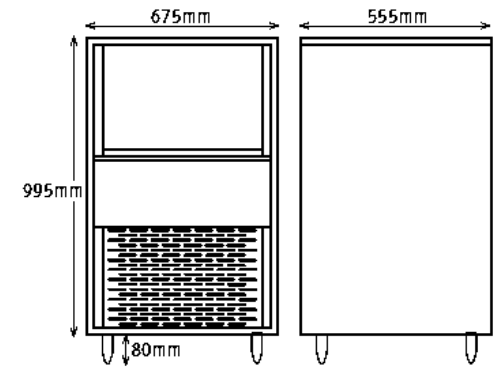
ICE MAKER MACHINES

MODEL	DESCRIPTION	COOLING SYSTEM	PRODUCTION 24HR	STORAGE		POWER WATT	DIMENSIONS (feet included) (LxWxH mm)	WEIGHT NET
				KG	CUBES			
AGS 840/WP	Ice Maker	40 - AIR	37 Kg	18	650	355	405x510x950	42 Kg
AGS 841/WP	Ice Maker	40 - WATER	42 Kg	18	650	355	405x510x950	42 Kg
AGS 846/WP	Ice Maker	90 - AIR	75 Kg	37	1220	650	675x555x1075	60 Kg
AGS 847/WP	Ice Maker	90 - WATER	81 Kg	37	1220	650	675x555x1075	60 Kg

Electrical Connection: 220V/1P 50-60 Hz
 Room Temperature: min. 5°C max 43°C
 Water Temperature: min. 5°C max 25°C



AGS 840/WP
AGS 841/WP



AGS 846/WP
AGS 847/WP



7 - Semi professional SUPPORT CABINETS



Semi Professional SUPPORT CABINETS

Whirlpool Semi Professional Cooling range offers a **vast choice of Support Upright Cabinets:**
available both in version 380 and 640 lt
in version positive (fridge) and negative (freezer)
in external finishing stainless steel and white



AGB 773 +
AGB 775 -
AGB 781 +
380 lt WH
WxDxH =
600x610x1865



AGB 774 +
AGB 776 -
380 lt IX
WxDxH =
600x610x1865



AGB 777 -
AGB 779 +
640 lt WH
WxDxH =
775x730x1865



AGB 778 -
AGB 780 +
640 lt IX
WxDxH =
775x730x1865

Semi Professional SUPPORT CABINETS

Whirlpool Support Upright Cabinets range:

Whirlpool Commercial Code	Type	Capacity	External Finishing Colour	Gas Type	°T Range	Nr. Levels	Shelves Dim.	Power (W)
AGB 773/WP	Support Upright positive	380 lt	White	R134a	+3 // +8°C	5	515x400	160
AGB 774/WP	Support Upright positive	380 lt	Stainless Steel	R134a	0 // +8°C	5	515x400	160
AGB 779/WP	Support Upright positive	640 lt	White	R134a	0 // +8°C	5	GN 2/1	240
AGB 780/WP	Support Upright positive	640 lt	Stainless Steel	R134a	0 // +8°C	5	GN 2/1	240
AGB 781/WP	Support Upright positive	380 lt	White	R134a	+3 // +10°C	3	515x400	280
AGB 775/WP	Support Upright negative	380 lt	White	R134a	-18 // -25°C	6	515x400	190
AGB 776/WP	Support Upright negative	380 lt	Stainless Steel	R134a	-18 // -25°C	6	515x400	190
AGB 777/WP	Support Upright negative	640 lt	White	R134a	-18 // -25°C	6	GN 2/1	360
AGB 778/WP	Support Upright negative	640 lt	Stainless Steel	R134a	-18 // -25°C	6	GN 2/1	360



8 – Professional DISHWASHERS

Whirlpool Professional Appliances Range includes a complete offer of Professional Dishwashers, fitting any possible need of real professional use and also heavy duty “domestic”/“Villas” installation.

Whirlpool Dishwashers range includes Glass, Frontal, Hood, Pot and Rack Conveyors models, all available either in mechanical or electronic version, with Detergent and/or Draining pump available as accessory



Professional Dishwasher



AGB 782/WP



AGB 650/WP



AGB 668/WP

Professional GLASS Dishwashers

Key selling features:

- Tank, frame and panels are manufactured in stainless steel AISI 304
- Double skinned outer panel construction to reduce noise levels and surface temperatures
- Partially molded tank: easy to clean, better water circulation and better wash results.
- Independents stainless steel wash and rinse arms: special wash arm designed for a very good wash result, the rinse arm spin separately from the wash arm assures an efficient rinse result even in slow pressure condition.
- Insulated door, reducing noise level



Most popular model: AGB782 is a compact and solid glass washer, easy to use can be installed easily under counter, external size is reduced to the minimum but it can be washed 205 mm height glasses.



AGB 782/WP

- Dimensions: L420 x W470 x H580 mm
- Hot water automatic rinse
- Rinse aid pump
- Water consumption = 2 lt/cycle
- Glasses max height 205mm
- Dishes max diameter 350mm
- 230V/1 – 50Hz
- Power 2,9kW
- Electromechanic control with 1 cycle of 120"
- Equipped with 1 glass basket, 1 teaspoon rack, 1 15-saucer rack

Professional FRONTAL Dishwashers

Key selling features:

- Tank, frame and panels are manufactured in stainless steel AISI 304
- Double skinned outer panel construction to reduce noise levels and surface temperatures
- Partially molded tank
- Independents stainless steel wash and rinse arms
- Insulated door
- Self closing doors: springs device make the door light



Most popular model: AGB650: solid and easy to use dishwashers, can be easily installed under a pre wash table, fast and power wash cycle.



AGB 650/WP

- Dimensions: L580 x W610 x H840 mm
- Hot water automatic rinse
- Rinse aid pump
- Water consumption = 2,4 lt/cycle
- Glasses max height 310mm
- Dishes max diameter 500mm
- 400V tri+N – 50Hz
- Power 4,9kW
- Electromechanic control with 2 cycles of either 120" or 180"
- Equipped with 1 18-dishes basket, 1 universal basket, 1 teaspoon rack

Professional HOOD Dishwashers

Key selling features:

- Tank, frame and panels are manufactured in stainless steel AISI 304
- Double skinned outer panel construction to reduce noise levels and surface temperatures
- Partially molded tank
- Auto self draining wash pump: every time water tank is drained out the dirty water inside wash pump is wasted outside.
- Independents stainless steel wash and rinse arms
- Insulated hood, reducing noise level



Most popular model: AGB668: solid, durable and easy to use Hood dishwashers



AGB 668/WP

- Dimensions: L640 x W730 x H1440 mm
- Hot water automatic rinse
- Rinse aid pump
- Auto self draining wash pump
- Water consumption = 3,5 lt/cycle
- Glasses max height 380mm
- Dishes max diameter 500mm
- 400V tri+N – 50Hz
- Power 6,75kW
- Electromechanic control with 2 cycles of either 60" or 120"
- Equipped with 1 18-dishes basket, 1 universal basket, 1 teaspoon rack